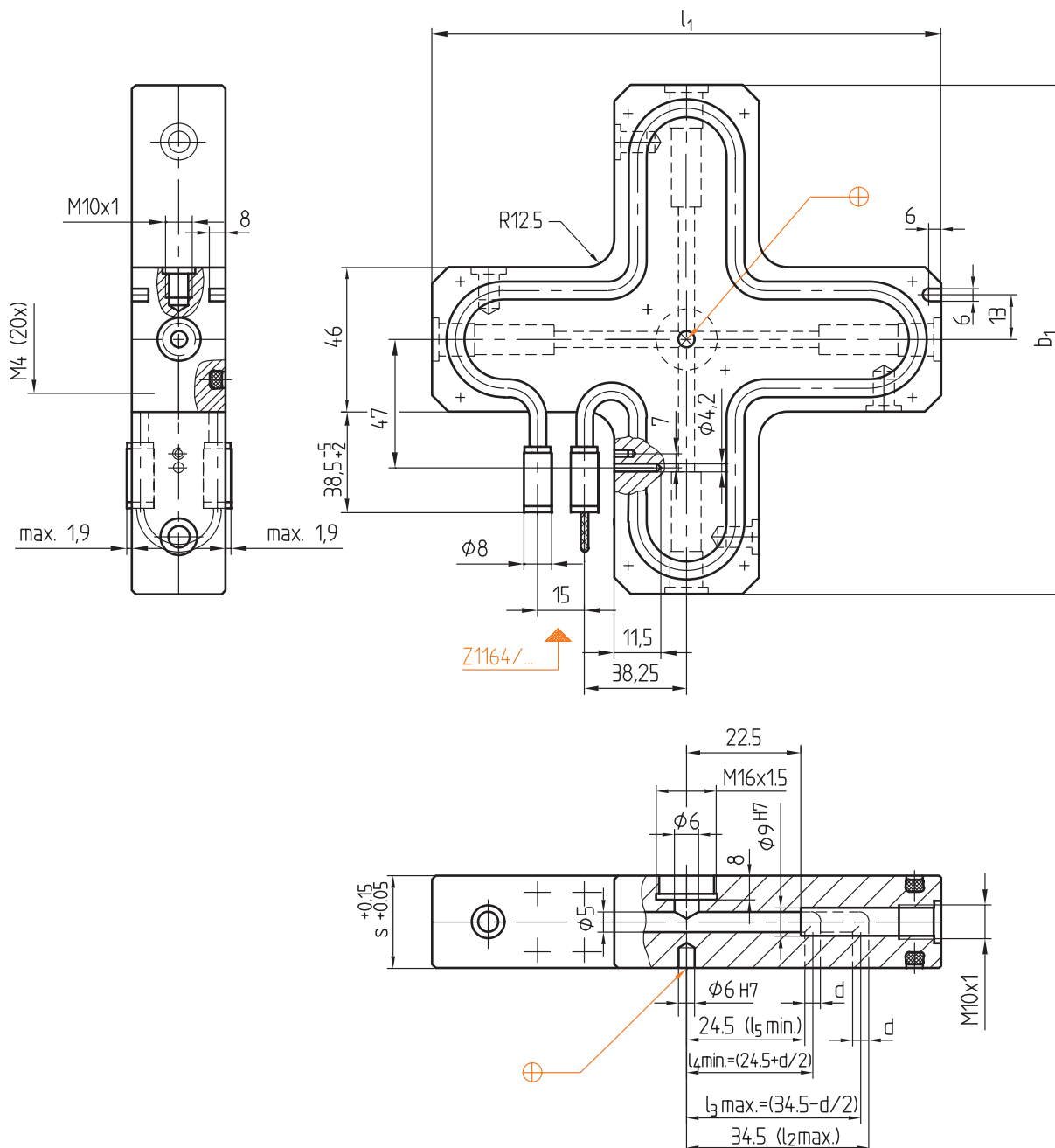


Z 106/3/...

Mat.: 1.2312/1080 N/mm²
230 V~



► Info



Zubehör-Sortiment Accessory kit Gamme d'accessoires	Z 1064/3/...	Watt	max. d	Typ	b_1	l_1	s	Nr./No.
Z 1067/3/5/1	.../125x125	1x630	5	3	125	125	26	Z 106/3/125x125/26

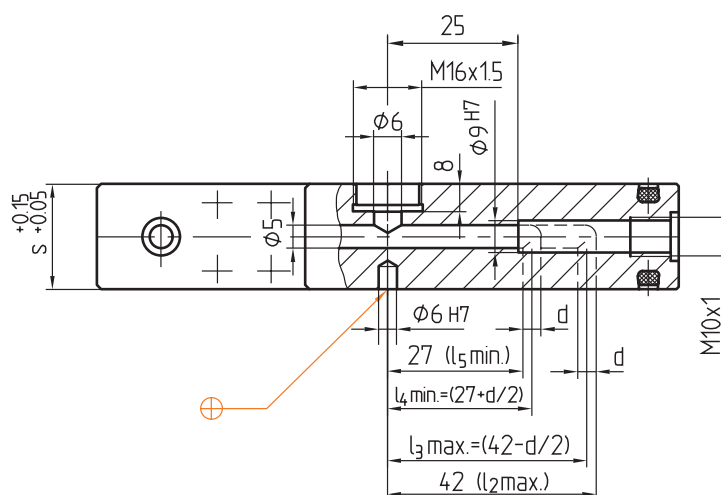
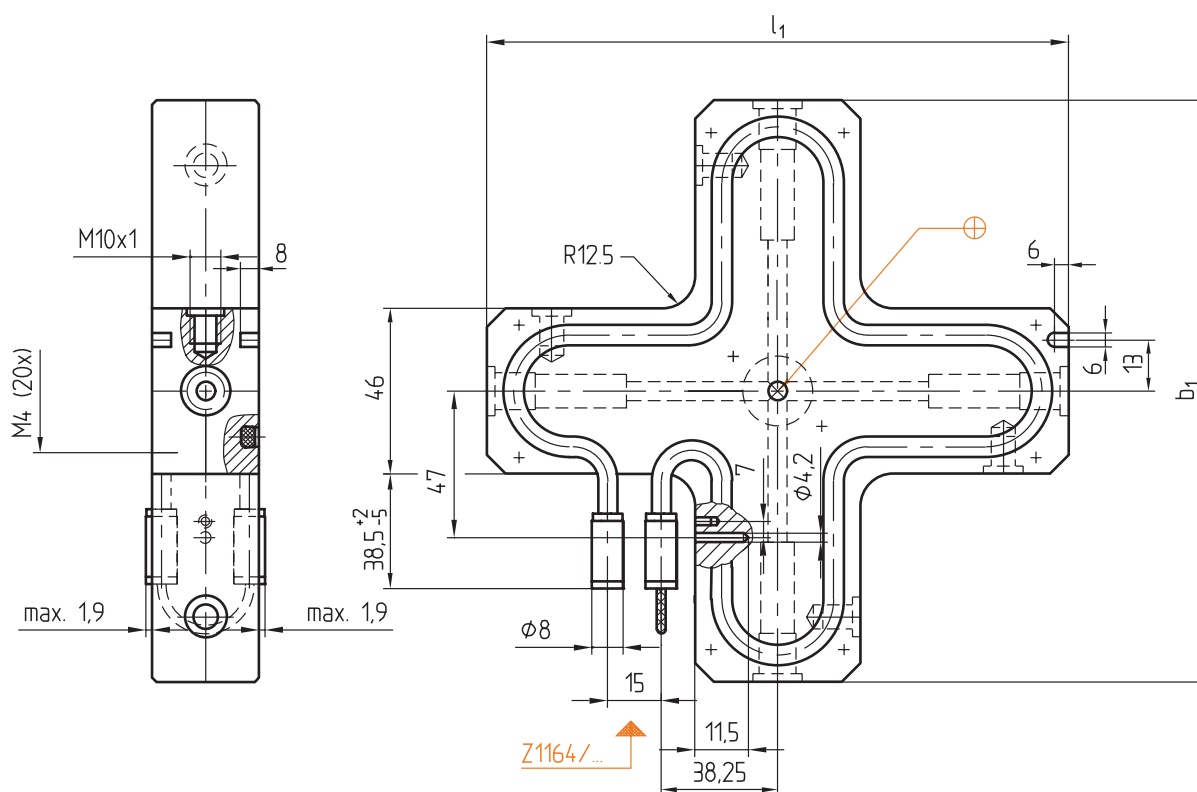
This is trial version
www.adultpdf.com

Z106/3/...

Mat.: 1.2312/1080 N/mm²
230 V~



► Info



Zubehör-Sortiment Accessory kit Gamme d'accessoires	Z1064/3/...	Watt	max. d	Typ	b ₁	l ₁	s	Nr./No.
Z1067/3/5/1	140x140	1x800	5	3	140	140	26	Z106/3/140x140/26

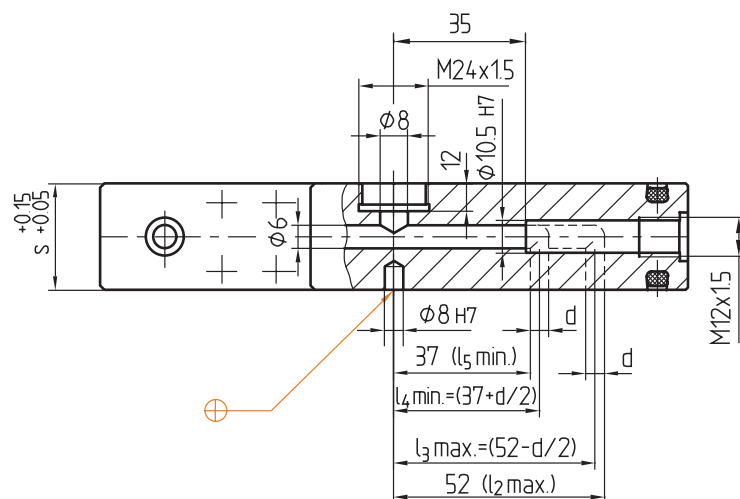
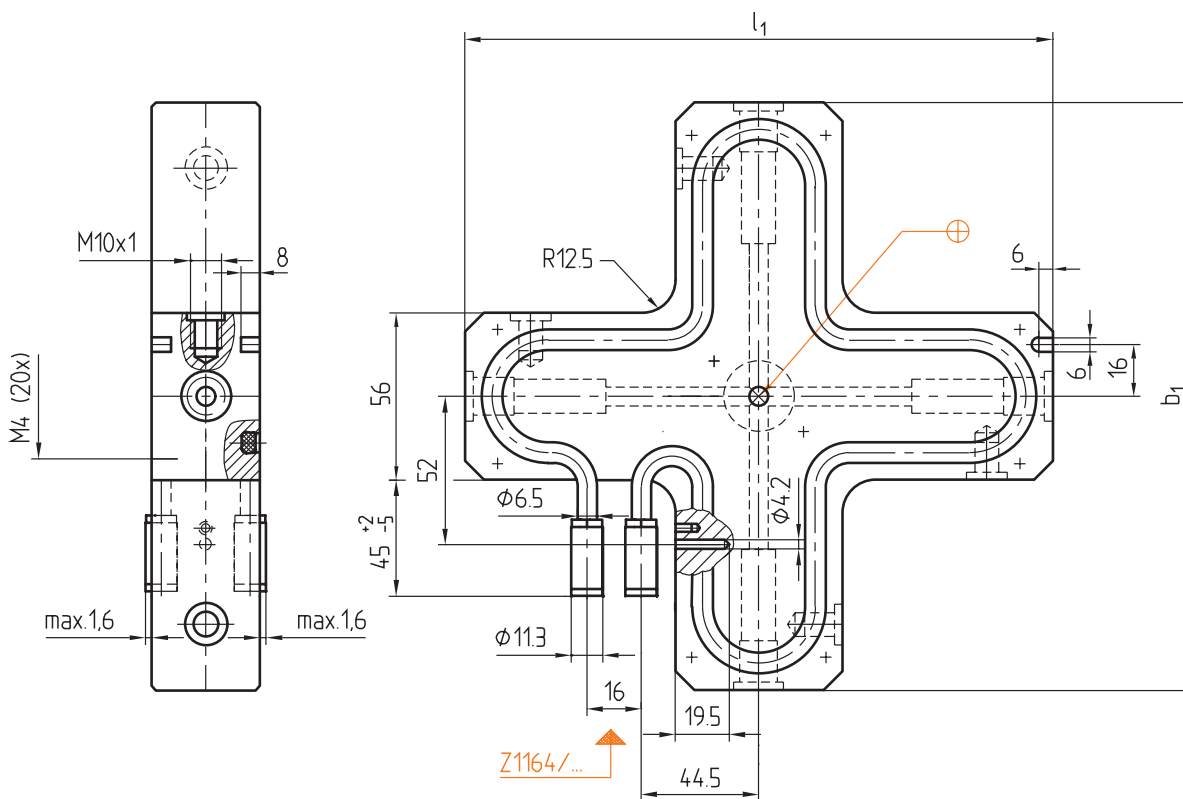
This is trial version
www.adultpdf.com

Z 106/3/...

Mat.: 1.2312/1080 N/mm²
230 V~



► Info



Zubehör-Sortiment Accessory kit Gamme d'accessoires	Z 1064/3/...	Watt	max. d	Typ	b ₁	l ₁	s	Nr./No.
Z 1067/3/6/2	.../160x160	2x630	6	3	160	160	36	Z 106/3/160x160/36

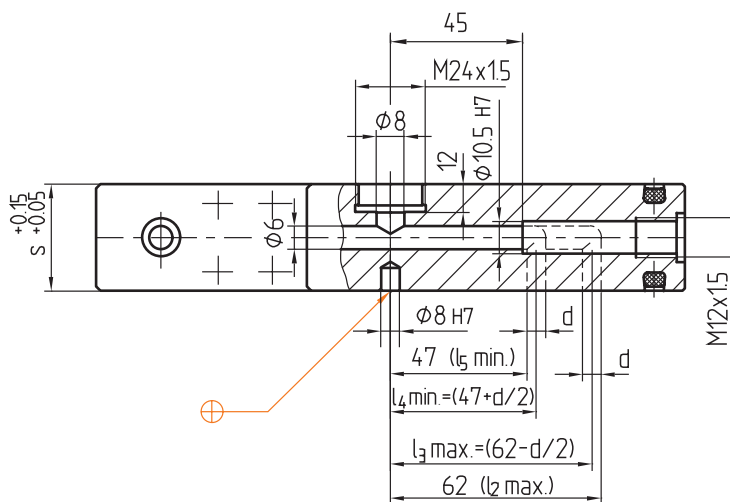
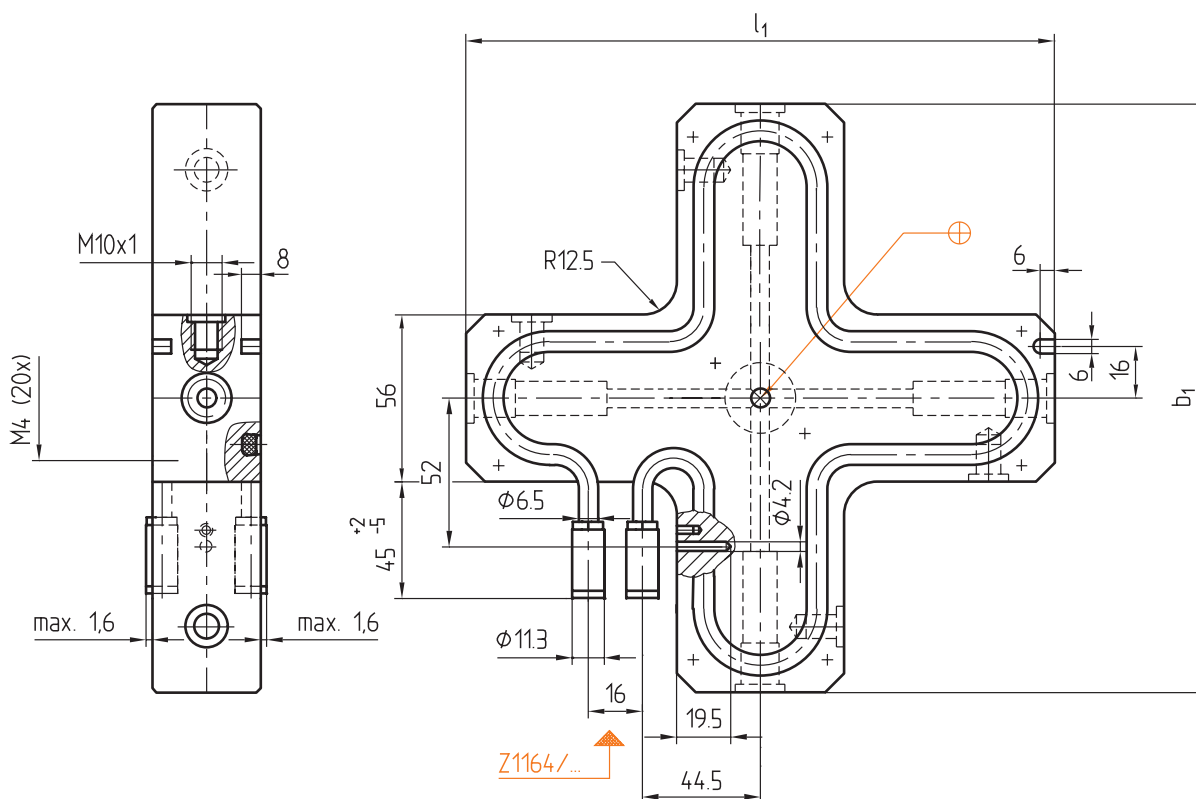
This is trial version
www.adultpdf.com

Z 106/3/...

Mat.: 1.2312/1080 N/mm²
230 V ~



► Info



12.01 1 12 15 212226

Zubehör-Sortiment Accessory kit Gamme d'accessoires	Z 1064/3/...	Watt	max. d	Typ	b ₁	l ₁	s	Nr./No.
Z 1067/3/6/2	180x180	2x630	6	3	180	180	36	Z 106/3/180x180/36

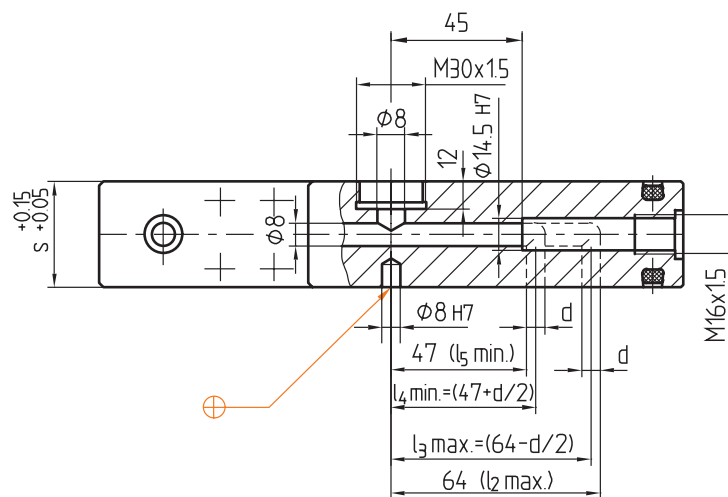
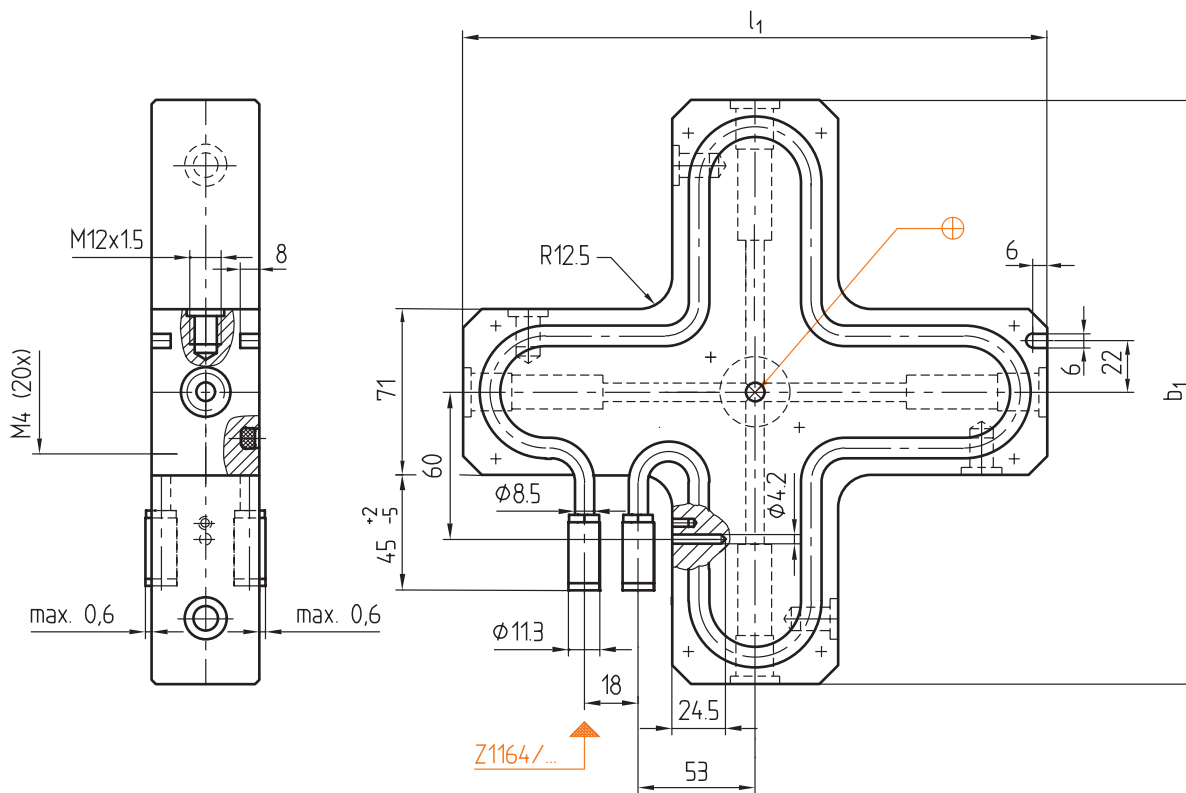
This is trial version
www.adultpdf.com

Z 106/3/...

Mat.: 1.2312/1080 N/mm²
230 V~



► Info



Zubehör-Sortiment Accessory kit Gamme d'accessoires	Z 1064/3/...	Watt	max. d	Typ	b ₁	l ₁	s	Nr./No.
Z 1067/3/8/2	.../200x200	2x800	8	3	200	200	46	Z 106/3/200x200/46

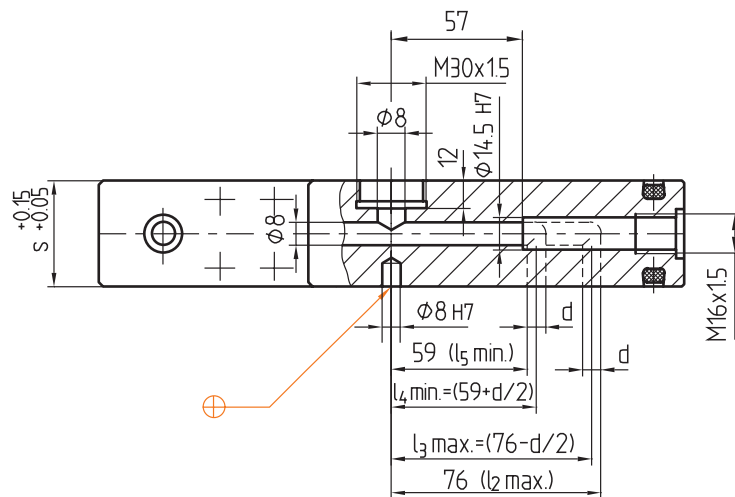
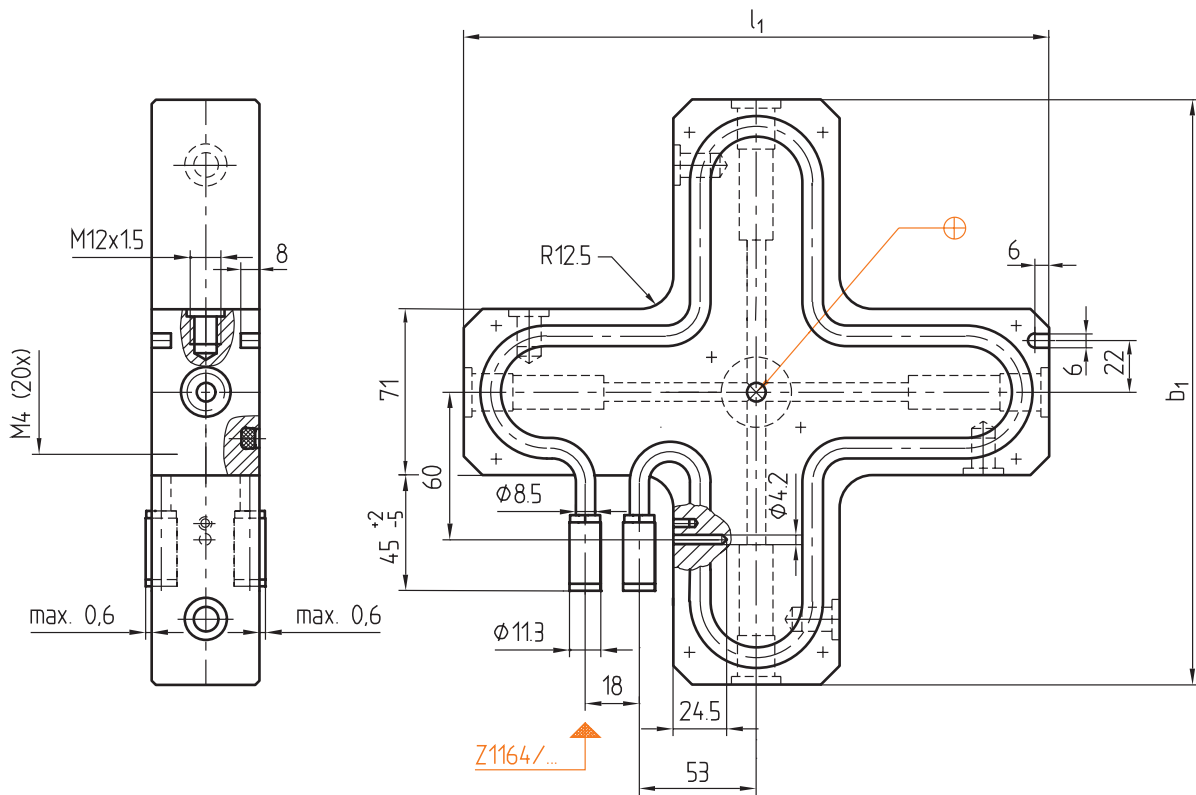
This is trial version
www.adultpdf.com

Z 106/3/...

Mat.: 1.2312/1080 N/mm²
230 V~



► Info



Zubehör-Sortiment Accessory kit Gamme d'accessoires	Z 1064/3/...	Watt	max. d	Typ	b ₁	l ₁	s	Nr./No.
Z 1067/3/8/2	224x224	2x1000	8	3	224	224	46	Z 106/3/224x224/46

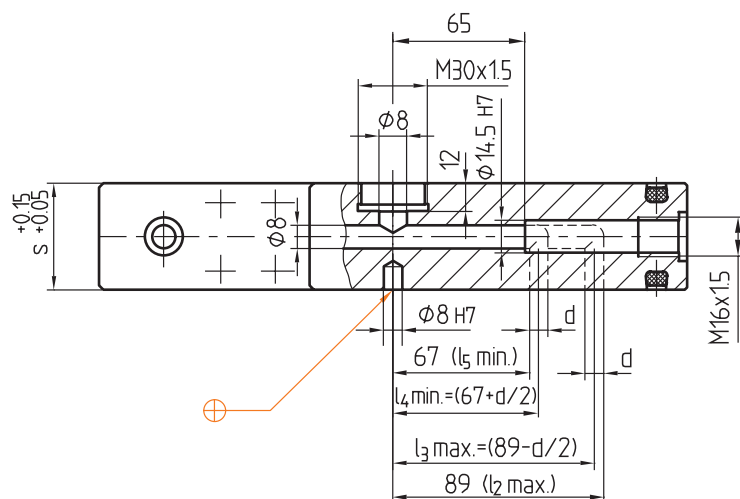
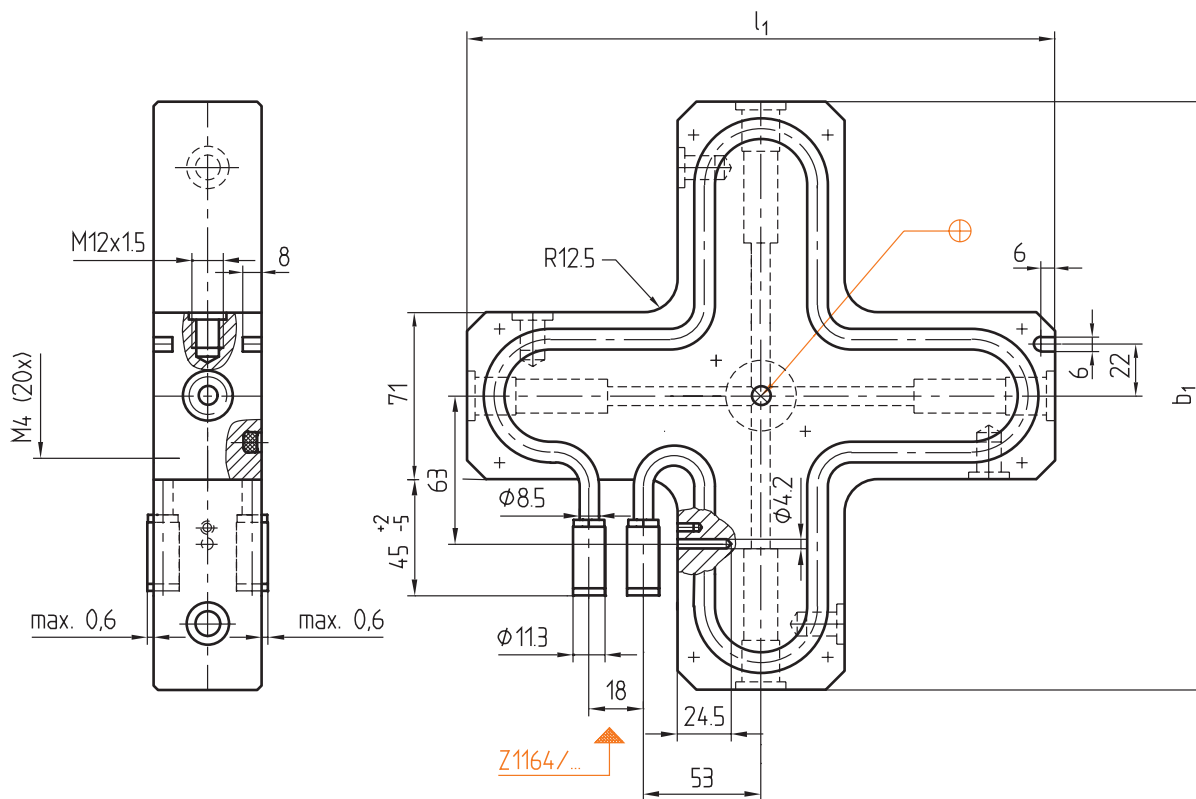
This is trial version
www.adultpdf.com

Z 106/3/...

Mat.: 1.2312/1080 N/mm²
230 V~



► Info



Zubehör-Sortiment Accessory kit Gamme d'accessoires	Z 1064/3/...	Watt	max. d	Typ	b ₁	l ₁	s	Nr./No.
Z 1067/3/8/2	.../250x250	2x 1000	8	3	250	250	46	Z 106/3/250x250/46

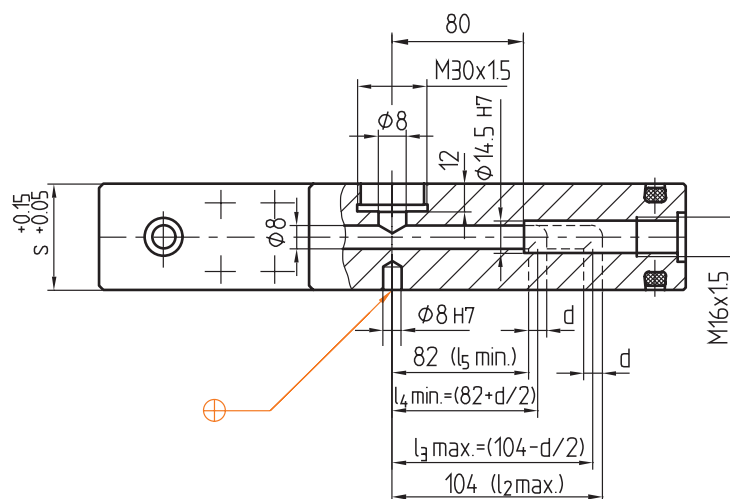
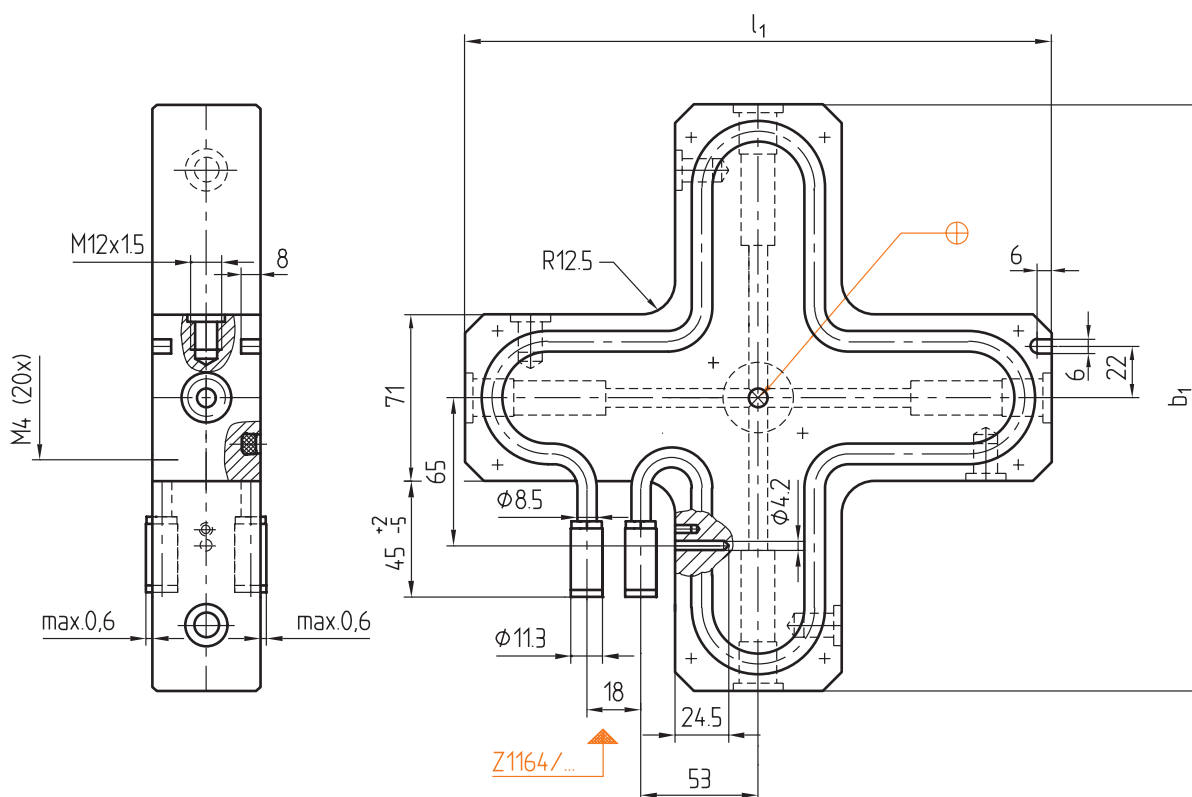
This is trial version
www.adultpdf.com

Z106/3/...

Mat.: 1.2312/1080 N/mm²
230 V ~



► Info



Zubehör-Sortiment Accessory kit Gamme d'accessoires	Z1064/3/...	Watt	max. d	Typ	b ₁	l ₁	s	Nr./No.
Z1067/3/8/2	280x280	2x1000	8	3	280	280	46	Z106/3/280x280/46

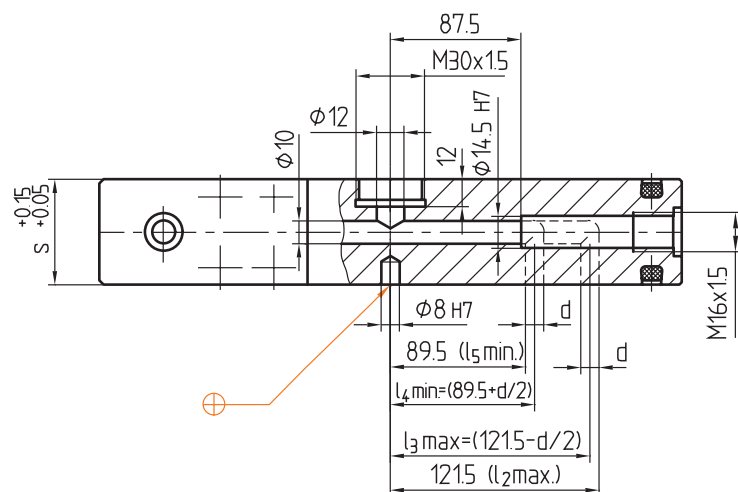
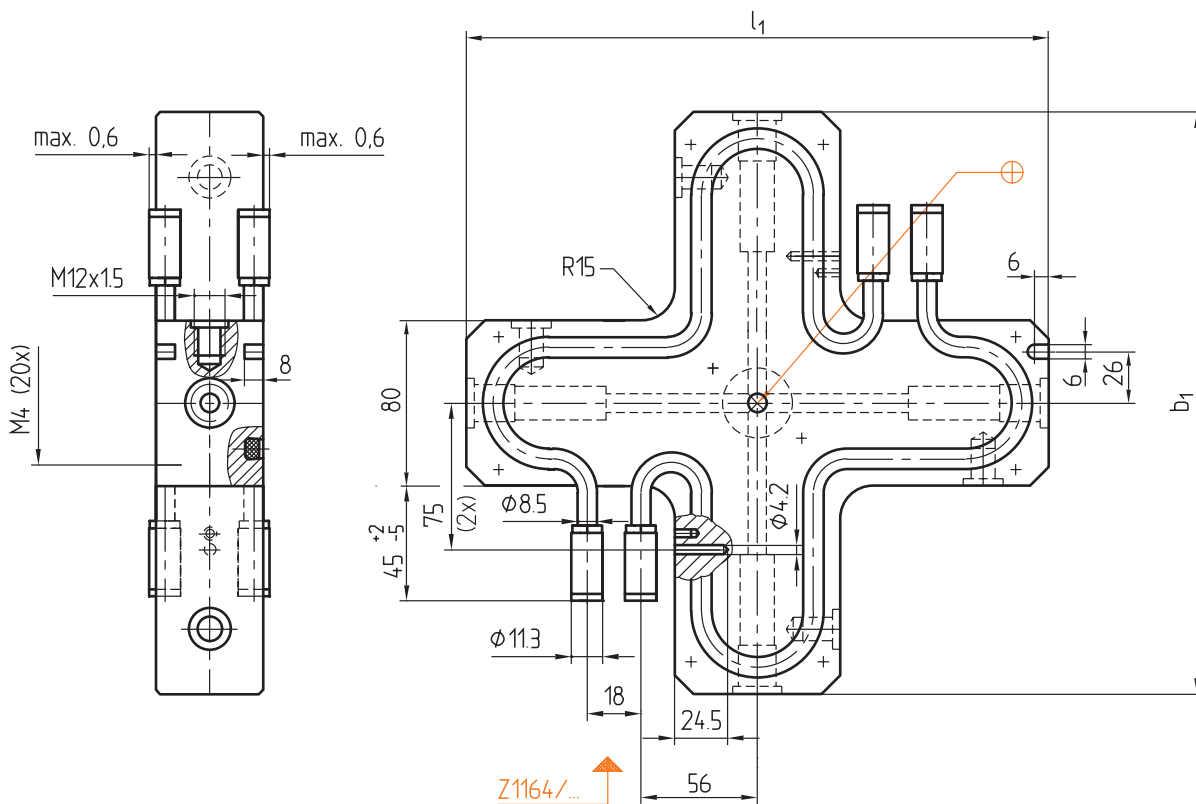
This is trial version
www.adultpdf.com

Z 106/3/...

Mat.: 1.2312/1080 N/mm²
230 V~



► Info

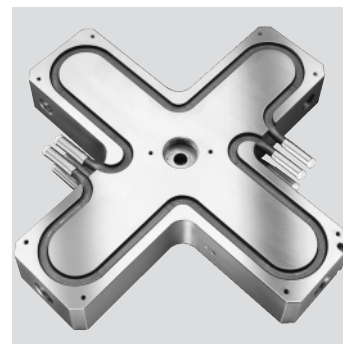


Zubehör-Sortiment Accessory kit Gamme d'accessoires	Z 1064/3/...	Watt	max. d	Typ	b ₁	l ₁	s	Nr./No.
Z 1067/3/10/4	.../315x315	4x630	8	3	315	315	46	Z 106/3/315x315/46

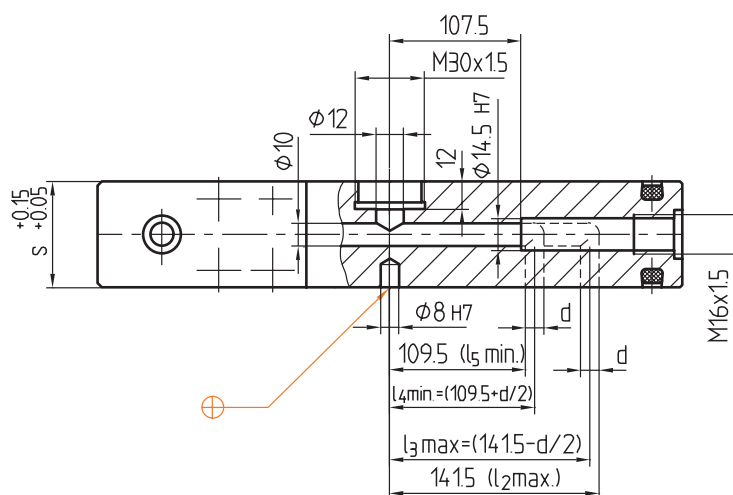
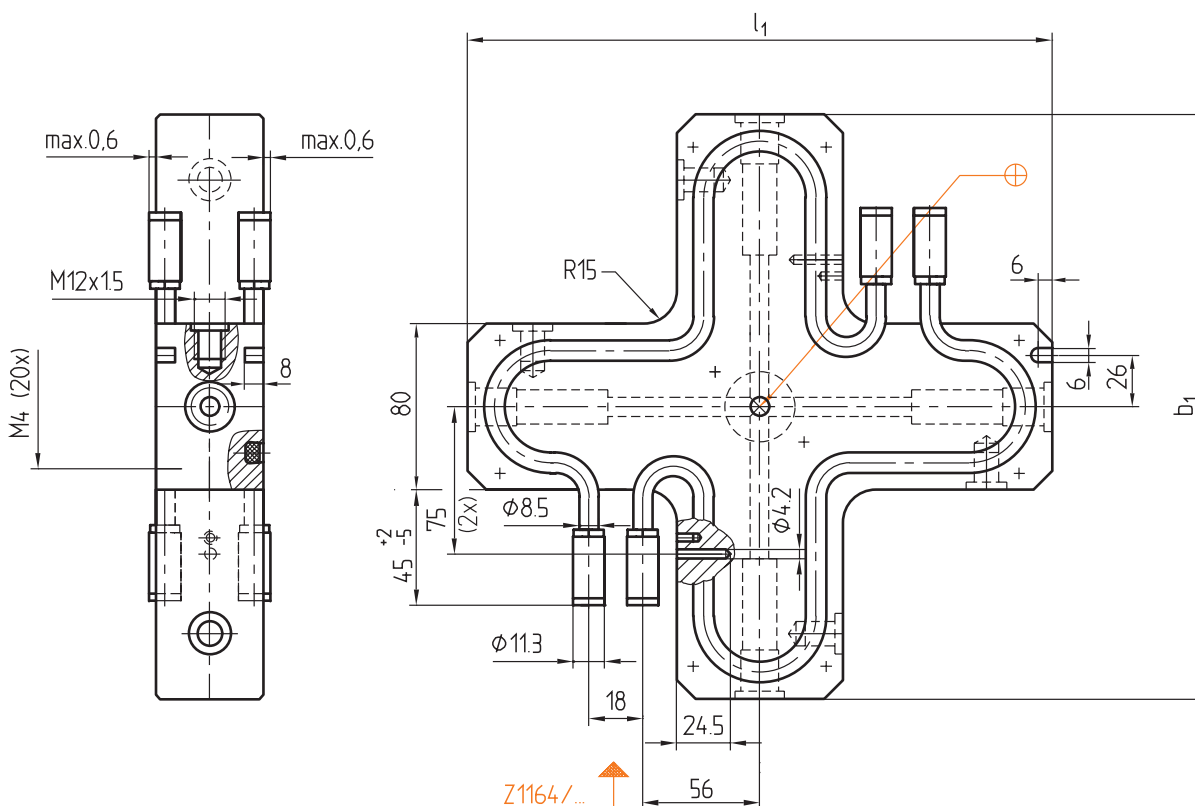
This is trial version
www.adultpdf.com

Z106/3/...

Mat.: 1.2312/1080 N/mm²
230 V~



► Info



Zubehör-Sortiment Accessory kit Gamme d'accessoires	Z1064/3/...	Watt	max. d	Typ	b ₁	l ₁	s	Nr./No.
Z1067/3/10/4	355x355	4x800	8	3	355	355	46	Z106/3/355x355/46

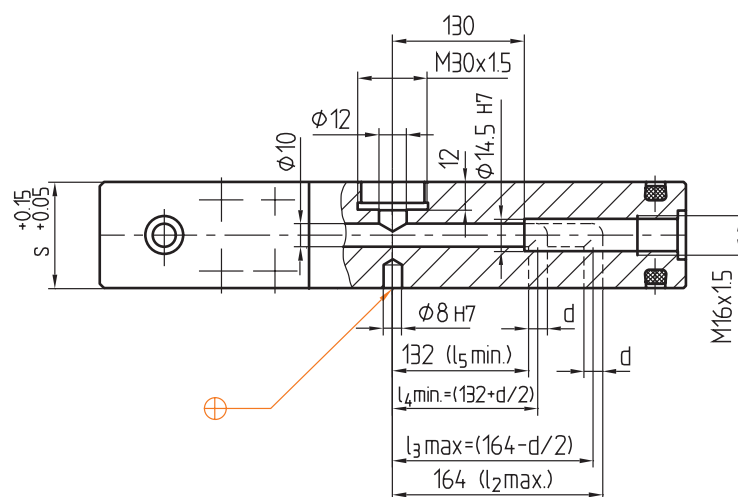
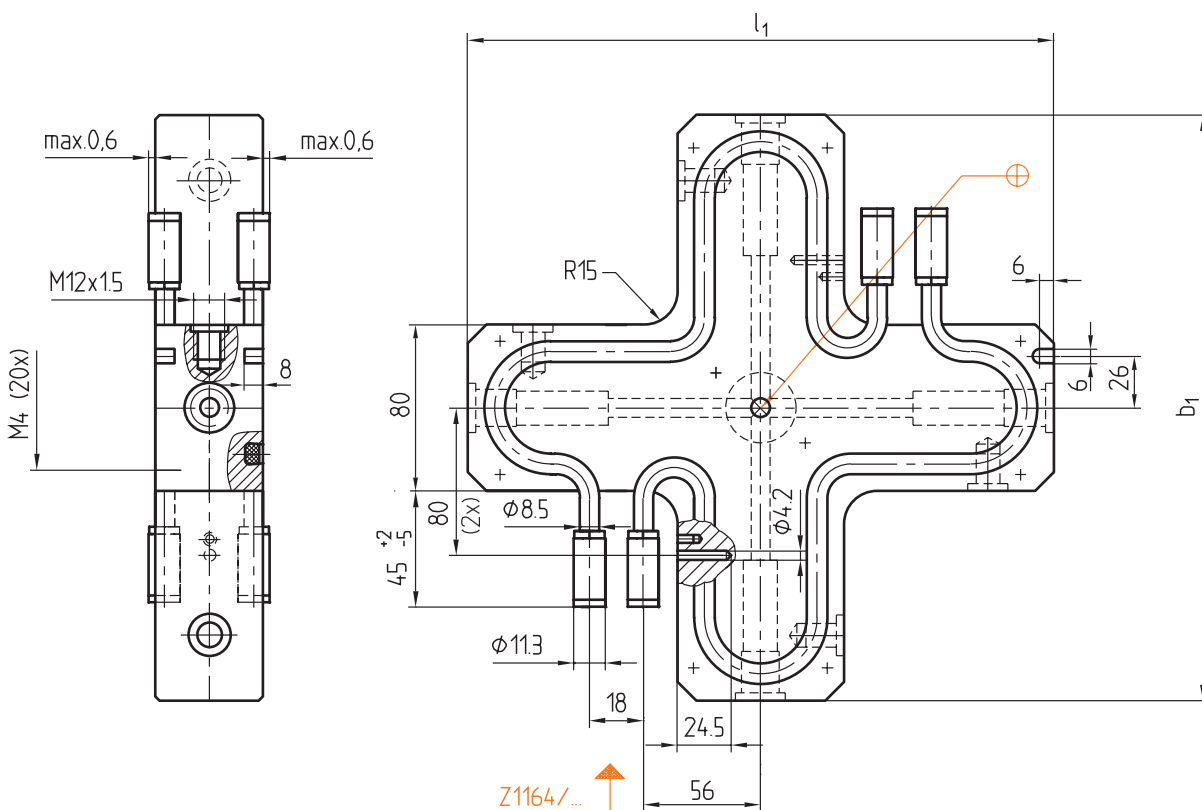
This is trial version
www.adultpdf.com

Z 106/3/...

Mat.: 1.2312/1080 N/mm²
230 V~



► Info



Zubehör-Sortiment Accessory kit Gamme d'accessoires	Z 1064/3/...	Watt	max. d	Typ	b_1	l_1	s	Nr./No.
Z 1067/3/10/4	.../400x400	4x800	8	3	400	400	46	Z 106/3/400x400/46

This is trial version
www.adultpdf.com